

Mount Adapter - INSX101

Material: Aluminum

Dimensions: 159mm x 34.6mm

Color: White

Type of Installation: Suspended

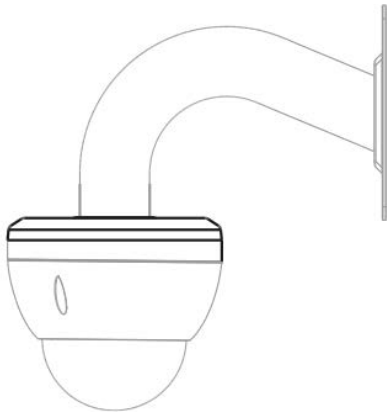
Net Weight: 0.23kg

Load Bearing Capacity: 3kg

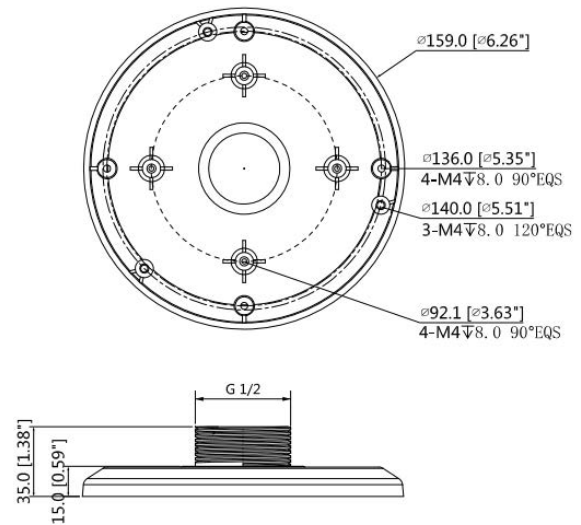
Compatible with : INSX300S or INSX300 or
INSX152 or INSX302



Applications



Dimensions (mm)



Works with



INSX300S



INSX300



INSX152



INSX302